

REV	REVISION RECORD	ECN	BY	APVD	DATE
A	INITIAL RELEASE	14183	MAC	JB	6-96
B	PER ECN 14471	14471	MAC	JB	10-97

NOTE: UNLESS OTHERWISE SPECIFIED

1. INTERPRET DRAWING IN ACCORDANCE WITH ANSI Y14.5-1982.
2. REMOVED
3. PITCH CONSISTENCY TO BE WITHIN ± 0.005 OVER 3.000 INCHES.
- PART TO BE SUPPLIED ON A CONTINUOUS REEL.
5. ALL DIMENSIONS APPLY AFTER PLATING.

PART NUMBER BREAKDOWN

- 0 = UNDER 1 INCH OAL.
- 1 = OVER 1 INCH OAL.

PIN SIZE

OVERALL LENGTH "L"

PIN LENGTH "P"
ABOVE STAR

8-40

PIN TYPE
(SEE
STAR
DETAIL)

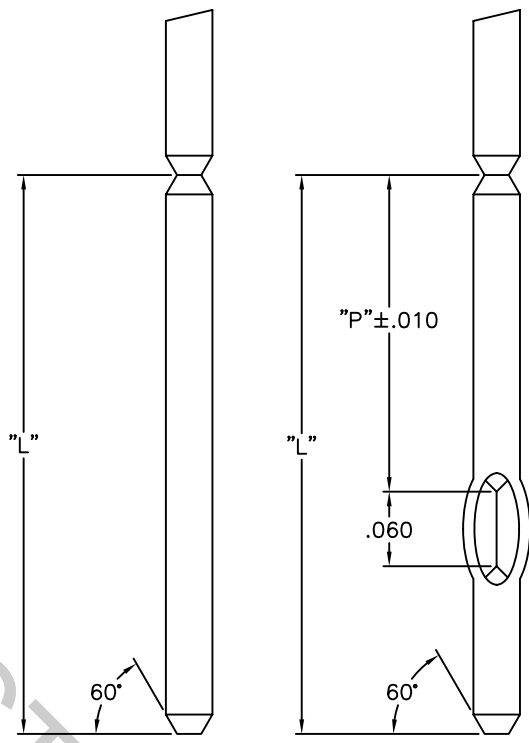
- 1 = SQUARE PIN
- 2 = SQUARE PIN WITH STANDARD STAR

FINISH VARIATIONS

- AA = TIN/LEAD .000120 MIN OVER NICKEL
- BB = GOLD PLATE .000005 OVER NICKEL
- CC = GOLD PLATE .000010 OVER NICKEL
- WW = GOLD PLATE .000015 OVER NICKEL
- DD = GOLD PLATE .000020 OVER NICKEL
- EE = GOLD PLATE .000030 OVER NICKEL

MATERIAL

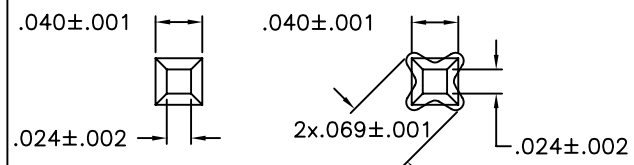
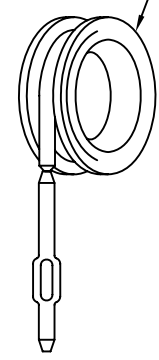
- 2 = BRASS ALLOY
- 5 = PHOSPHOR BRONZE ALLOY
- 7 = COPPER/NICKEL/TIN ALLOY



PIN WITH NO STAR

PIN WITH STAR

REELING ORIENTATION
AP/2 REEL
(24" O.D. x 20" I.D.)



- 1 SQUARE NO STAR
- 2 SQUARE STD. STAR

STAR DETAIL

CUSTOMER DRAWING

This drawing and the information set forth hereon are the property of Autossplice, Inc. and are to be held in trust and confidence. Publication, duplication, disclosure, or use for any purpose not expressly authorized in writing by Autossplice, Inc. is prohibited.

ALL DIMENSIONS ARE IN INCHES		AUTOSPLICE INC. 10121 Barnes Canyon Road San Diego, California 92121 (619) 535-0077	
DECIMAL:	XX ± 0.01 XXX ± 0.005	THIRD ANGLE PROJECTION	DRAWN BY MAC M DATE 5-05-96 APPROVED BY J BIANCA DATE 6-05-96
ANGULAR:	$\pm 5'$	TITLE: AUTOPIN/2 DETAIL PART DRAWING	
SCALE: NONE		SIZE: FSCM NO. C 0AE89 DRAWING NUMBER: C8-40[1 thru 2]	REV: B
CAD FILE NO. C08-401-20X AND REV.		SHEET 1 OF 1	